

Santos #18 Dough Fork Mixer

ITEM: 45637
MODEL: SANTOS 18



Get Dough Kneaded According To The Perfect French Tradition Every Time

This dough mixer has a heavy-duty and silent asynchronous commercial motor which kneads up to 9 lb. (4 kg.) of hard dough in around 15 minutes. Equipped with a 10 Liter stainless steel bowl, this mixer is perfect for pizzerias and bakeries.

FEATURES:

- Helical fork designed to be a powerful and efficient for giving a perfect oxygenation of the dough
- Easy to clean as all parts in contact with food are removable
- Motor is protected by an internal thermal detector
- Ideal for all kinds of breads and pizza doughs
- The mixer has a transparent cover to work in complete safety (machine stops when opening the cover) and there is a wide gap to add ingredients safely during kneading

SAFETY And HYGIENE

Thermal Safety

Motor protected by internal thermal detector.

Electrical Safety

- On/Off interlock switch is waterproof
- All mechanical parts are ground (earth) connected
- All equipment is perfectly controlled after assembly (special electrical testing bay)

Acoustic Safety

Very silent and powerful asynchronous motor.

Hygiene

All removable parts can be put in a dishwasher or easily cleaned with hot soapy water.

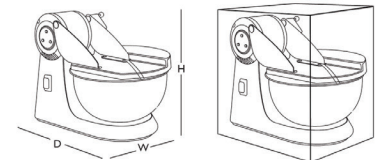
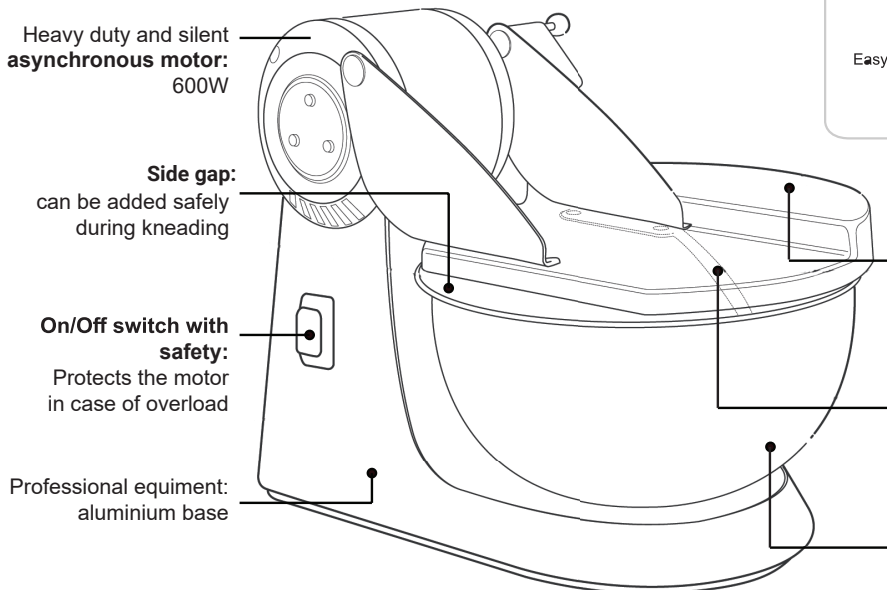
In accordance with the following regulations:

- Machinery directive 2006/42/EC
- Electromagnetic compatibility 2004/108/EC
- "Low voltage" directive 2006/95/EC
- RoHs directive 2011/65/EU
- Regulation 1935/2004/EC (contact with food)
- Regulation 10/2011/EU (plastic in contact with food)

Harmonized European standards:

- EN ISO 12100: 2010
- EN 60204-1 + A1: 2009
- EN 60335 - 2-64: 2004: commercial electric kitchen machines
- CE (European standards)

Technical Specification	
Item	45637
Model	SANTOS 18
Capacity	10.56 Qt. (10 L)
Production (Per Hour)	36 lb. (16.3 kg.)
Power	650 W / 0.87 hp
Electrical	110V / 60Hz / 1Ph
Fork Speed (Per Minute)	84
RPM	1800
Net Weight	40 lb. (18.5 kg.)
Net Dimensions (WDH)	15" x 15" x 17" (350 x 350 x 420 mm)
Gross Weight	45 lb. (20.4 kg.)
Gross Dimensions (WDH)	15.4" x 23.2" x 18" (390 x 590 x 460 mm)



Appliance:
D: 20" (500mm)
W: 15" (350mm)
H: 17" (420mm)

Shipping Box
D: 23.2" (590mm)
W: 15.4" (390mm)
H: 18" (460mm)